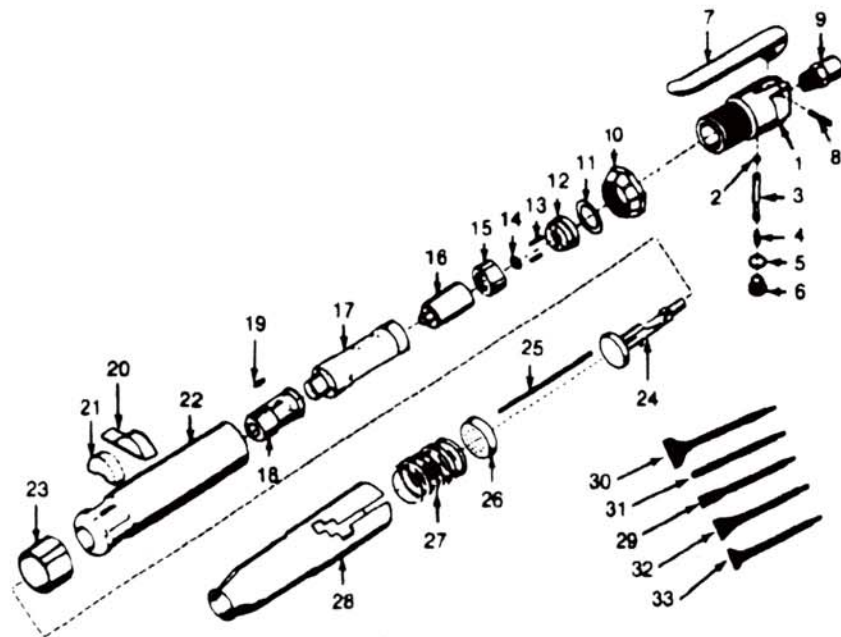


Stroke	1-1/8"
Blows per min	4,600
Shank Type (UT8630)	Chisel Retainer
Weight (UT8630)	4 lbs.
Weight (UT8635)	6-1/4 lbs.
Length (UT8630)	10-1/4"
Length (UT8635)	15"
Width	1-5/8"
Air Inlet	1/4"
Average Air Consumption	4 CFM
Maximum operating pressure	60 PSI

Parts Breakdown for UT8630/8635

Replacement Parts for UT8630/8635

Ref.	Description	Part #	Ref.	Description	Part #
1	Backhead	9730213	19	Key	9731010
2	O-Ring	9729591	20	Driver Retainer	9730220
3	Throttle Valve	9730214	21	Retainer Buffer	9730221
4	Spring	9730215	22	Barrel Assembly	9730223
5	O-Ring	91008365	(Incl. Items #17, 18 & 19)		
6	Valve Cap	9730216	23	Retainer Clip	9730222
7	Lever	9730217	24	Needle Driver	9730224
8	Pin	9729538	25	Needle (19)	9730280
9	Hose Adapter	9729747	26	Needle Holder	9730225
10	Locking Ring	9729597	27	Spring	9730226
11	Alignment Shim	9730218	28	Needle Tube (Round)	9730227
12	Rear Valve Block	9729608	29	3/4" Cold Flat Chisel	UTA88392
13	Pin	91012591	*30	2 1/2" Blade Chisel	UTA88390
14	Valve	9729604	*31	Blank Chisel	UTA88391
15	Front Valve Block	9729606	*32	1 3/8" Blade Chisel	UTA88392
16	Piston	9730219	*33	Angle Blade Chisel	UTA88394
17	Barrel Sleeve	9731008	Needle Attachment UT8630		UTA88398
18	Nose	9731009	(Incl. Items #24, 25, 26, 27, 28)		

(* Accessory items not included with original tool.)

WARNING: This product contains lead, a chemical known to the State of California to cause cancer and birth defects or other reproductive harm. **Wash hands after handling.**

WARNING: This product contains chemicals known to the State of California to cause cancer and birth defects and other reproductive harm.

Limited Warranty

Universal Tool warrants its tools to be free from defects in material and workmanship for one year from the date of purchase. This warranty does not apply to tools which have been abused, misused, modified or repaired by someone other than Universal Tool or its authorized service centers. If a Universal Tool proves defective in material or workmanship within one year after purchase, return it to any authorized service center or to Universal Tool, freight prepaid. Please enclose your name, address and adequate proof of purchase date with a brief description of the defect. Universal Tool will, at its option, repair or replace defective tools, free of charge. Repairs or replacements are warranted as described above for the remainder of the warranty period. Universal Tool's sole liability and your exclusive remedy under this warranty is limited to repair or replacement of the defective tool. There are no other warranties expressed or implied and Universal Tool shall not be liable for incidental, consequential or special damages, or any other damages, costs or expense of repair or replacement as described above.



PLEASE READ AND FOLLOW ALL WARNINGS



Universal Tool

STRAIGHT HANDLE NEEDLE & CHISEL SCALER

UT8630/8635

Read Operating Instructions

Always become familiar with all the instructions and warnings before operating any power tool.

Always Wear Approved Eye Protection

Impact resistant eye protection should meet or exceed the standards as set forth in the United States ANSI Z87.1, Occupational and Educational Eye and Face Protection. Look for the marking Z87.1 on your eye protection to insure that it is an approved style. For further information, ANSI Z87.1, Occupational and Educational Eye and Face Protection, is available from the American National Standards Institute, Inc., 11 West 42nd Street, New York, NY 10036.



Hearing Protection is Recommended

Hearing protection should be used when the noise level exposure equals or exceeds an 8 hour time-weighted average sound level of 85 dBA. Process noise, reflective surfaces, other tools being operated nearby, all add to the noise level present in your work area. If you are unable to determine your noise level exposure, we recommend the use of hearing protection.



Avoid Prolonged Exposure to Vibration

Tools can vibrate during use. Prolonged exposure to vibration of very repetitive hand and arm movements, can cause injury. Stop using any tool if discomfort, tingling feeling or pain occurs. You should consult your physician before resuming use of the tool.



90 PSIG Maximum

This tool is designed to operate at



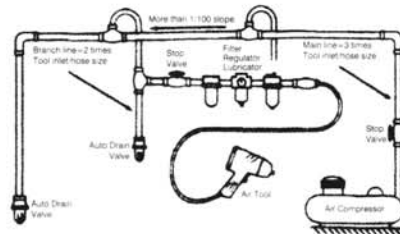
an air pressure of 90 pounds per square inch gauge pressure (90 PSIG) maximum, at the tool. Use of higher air pressure can, and may cause injury. Also, the use of higher air pressure places the internal components under loads and stresses they were not designed for, causing premature failure. The air supply should be clean and dry, preferably lubricated. For best results, drain the moisture from your compressor daily.

WARNING:

Some dust created by power sanding, sawing, grinding, drilling, and other construction activities contains chemicals known to cause cancer, birth defects or reproductive harm. Some examples of these chemicals are:

- Lead from lead-based paints
- Crystalline silica from bricks, cement and other masonry products
- Arsenic and chromium from chemically treated lumber

Your risk from these exposures varies, depending on how often you do this type of work. To reduce your exposure to these chemicals, work in a well-ventilated area and work with approved safety equipment such as those dust masks that are specially designed to filter out microscopic particles.



Description

Universal Tool needle scaler & chisel scaler is useful for reaching into deep, hard-to-access crevices, for removing rust and corrosion from metals, removing hardened concrete from construction equipment and peening welding joints.



PL0207

Safety Instructions

The following instructions are furnished as general guidelines for use of your pneumatic tool. They cannot comprehensively cover all possible or conceivable uses of the subject tool. For additional information on the safe use of air tools, we advise you to obtain a copy of ANSI B186.1 Safety Code for Portable Air Tools, available from the following source:

American National Standards Institute, Inc.
11 West 42nd Street
New York, NY 10036.

The use of the word "shall" in the following instructions, indicates that adherence to the particular requirement is necessary to conform to ANSI B186.1.

Tool Application and Usage

Portable tools shall be used only for the purposes intended in their design and within the capacity for which they were intended and rated. It shall be the tool owner's and/or employer's responsibility to instruct each operator in the safe use of the tool. Tools shall not be used without guards and safety

devices as furnished by the manufacturer. Where an air tool is modified or altered, the modifier shall provide the safeguards to enable it to be safely used in the operations intended and to comply with any applicable provisions as contained in ANSI B186.1.

Tool Installation

Pressure regulators shall be used to limit air pressure to the rated pressure where the supply pressure exceeds the tool's rated pressure. Air hoses and lines shall be relieved of compressed air before being disconnected or disjointed, unless there is automatic valve closing protection at the joint being separated. Synthetic lubricants which can cause deterioration of elastomer seals shall not be used in air systems of air tools.

Tool Maintenance

It shall be the tool owner's and/or employer's responsibility to assure that tools are maintained in a safe operating condition. Tool maintenance and repair shall be performed by authorized, trained, competent personnel. Tools shall be disconnected from their compressed air supply before repairs are attempted. Repairs shall be consistent with the manufacturer's recommended procedures. Tool, hoses and fittings shall be replaced if unsuitable for safe operation. It shall be the tool owner's and/or employer's responsibility to keep required rating markings and warnings on the tool in legible condition.

Universal Tool
A Division of Florida Pneumatic Manufacturing Corporation
851 Jupiter Park Lane, Jupiter, Florida 33458
Toll Free 1-800-327-9403

Read these instructions carefully before attempting to install, operate or service this Florida Pneumatic product. Failure to comply with the instructions could result in personal injury and/or property damage! Retain these instructions for future reference.

